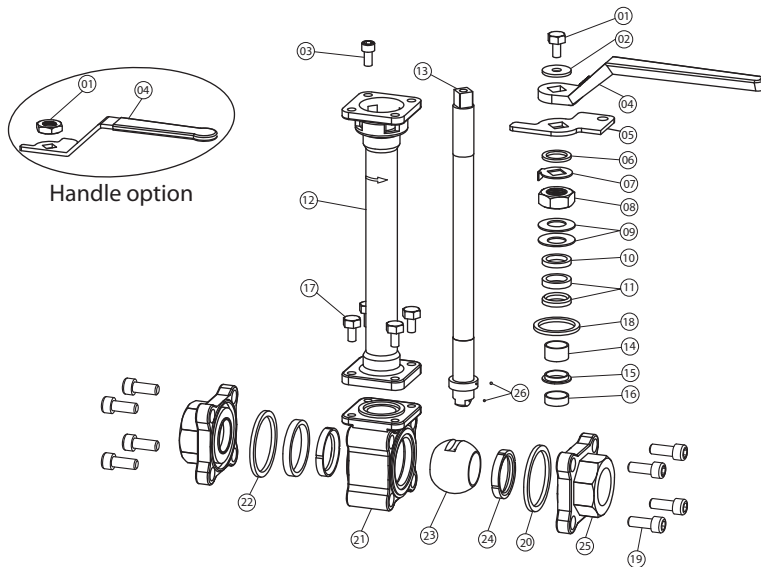


2000 WOG 3-pc full port cryogenic threaded ball valve

SF-3T-CY



Specification

- **Size range:** ½" ~ 2" (DN15 ~ DN50)
- **Rating:** 2000 psi WOG
- **Temperature ranges:**
Type 1 / -105°C to -196°C; **Type 2** / -51°C to -104°C;
Type 3 / 200°C to -50°C
- **Construction:** 3-piece stainless steel 316 body; floating ball design
- **Flow bore:** Full port

Product features

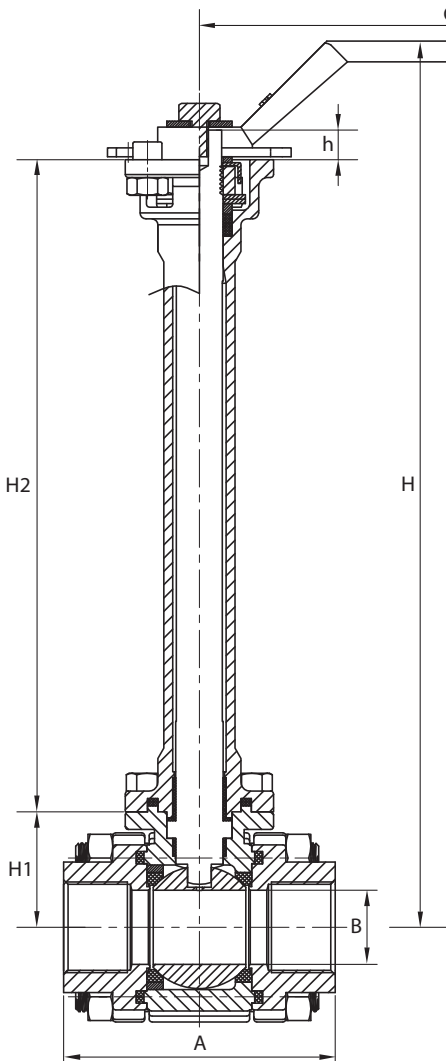
- Bi-directional sealing engagement; product tested and approved according to BS 6364:1984 – Appendix A
- Operable over 3 ranges of temperatures from -196°C to 200°C
- Seat material options: PCTFE, TFM 4215 or TFM 1600
- Built-in ISO 5211 mounting pad for easy automation; pneumatic and electric actuators available upon request

Material list

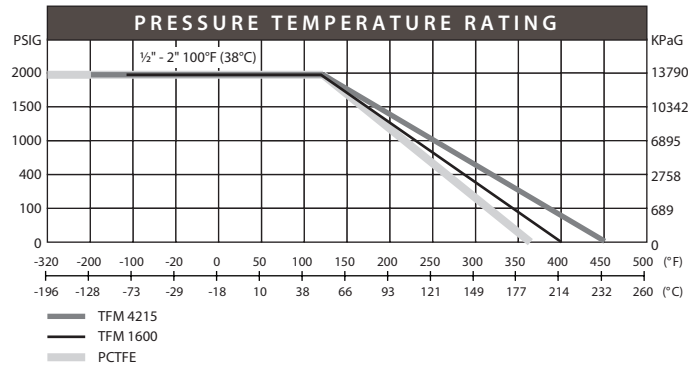
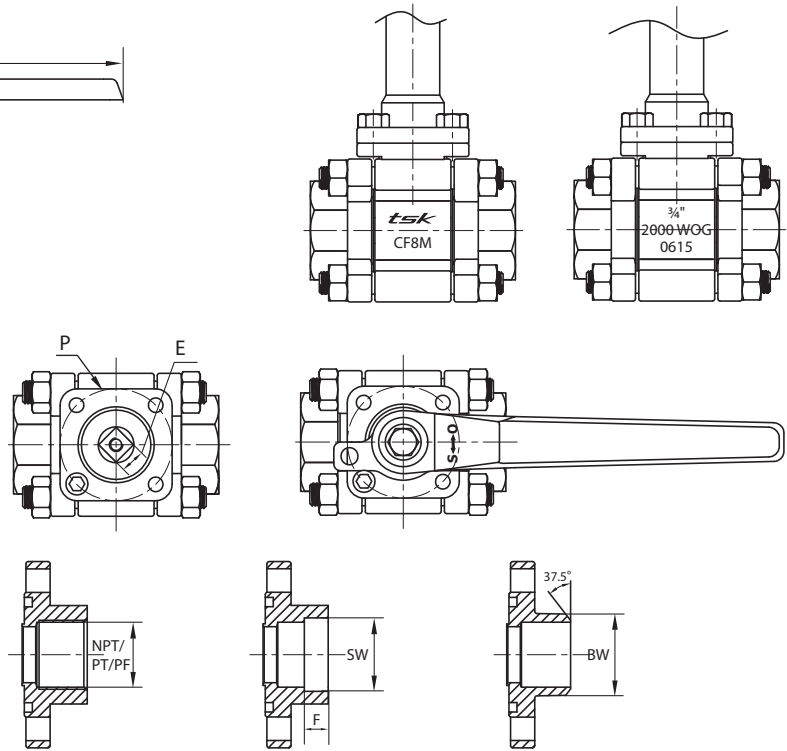
No.	Part name	Material			Qty	Remarks
		Type 1	Type 2	Type 3		
1	Screw		Stainless steel 304 / A276		1	
	Handle nut		Stainless steel 304 / A276		1	
2	Handle washer		Stainless steel 304 / A276		1	
3	Stopper pin		Stainless steel 304 / A276		1	
4	Handle		Stainless steel A351 Gr. CF8 or 304 / A276		1	
5	Stopper plate		Stainless steel 304 / A276		1	
6	Stem washer		Stainless steel 304 / A276		1	
7	Lock washer		Stainless steel 304 / A276		1	
8	Gland nut		Stainless steel 304 / A276		1	
9	Belleville washer		Stainless steel 301		2	
10	Gland		Stainless steel 304 / A276		1	
11	Packing	TFM 4215	TFM 1600	PTFE	1	
12	Extension bonnet		Stainless steel A351 Gr. CF8M		1	
13	Stem		17-4 PH		1	
14	Stem bushing 1		50% Stainless steel + 50% PTFE		1	Triple set of stainless steel filled PTFE seals enhancing resistance to abrasion
15	Stem seal		50% Stainless steel + 50% PTFE		1	
16	Stem bushing 2		50% Stainless steel + 50% PTFE		1	
17	Extension bolt		Stainless steel 304 / A276		4	
18	Bonnet seal	SS 304+Graphite	TFM 1600	PTFE	1	
19	Bolt		A193 Gr. B8		1 set	
20	Body seal	SS 304+Graphite	TFM 1600	PTFE	2	
21	Body		Stainless steel A351 Gr. CF8M		1	
22	Body gland		Stainless steel 316 / A276		1	
23	Ball		Stainless steel A351 Gr. CF8M		1	
24	Seat	PCTFE	TFM 4215	TFM 1600	2	
25	Cap		Stainless steel A351 Gr. CF8M or CF3M		2	
26	Anti-static device		Stainless steel 304 / A276		2	

2000 WOG 3-pc full port cryogenic threaded ball valve

SF-3T-CY



A1 = Butt welded type



DIMENSIONS

Size (mm/in)	A	A1	B	C	E	P	H	H1	H2	h	F	SW	BW
15 ½"	75.0	75.0	15.0	140.0	9.0	36.0	267.0	31.5	200.0	8.5	13.0	21.8	21.7
	2.952	2.952	0.590	5.511	0.354	1.417	10.51	1.240	7.874	0.334	0.511	0.858	0.854
20 ¾"	80.0	90.0	20.0	140.0	9.0	36.0	269.5	34.0	200.0	8.5	13.0	27.2	27.2
	3.149	3.543	0.787	5.511	0.354	1.417	10.61	1.338	7.874	0.334	0.511	1.070	1.070
25 1"	90.0	100.0	25.0	170.0	11.0	50.0	299.0	39.0	220.0	10.0	15.0	33.8	34.0
	3.543	3.937	0.984	6.692	0.433	1.968	11.77	1.535	8.661	0.393	0.590	1.330	1.338
32 1¼"	110.0	110.0	32.0	170.0	11.0	50.0	303.5	43.5	220.0	10.0	15.0	42.7	42.7
	4.330	4.330	1.259	6.692	0.433	1.968	11.94	1.712	8.661	0.393	0.590	1.681	1.681
40 1½"	120.0	125.0	38.0	231.0	14.0	70.0	375.0	55.5	280.0	13.0	16.0	48.8	48.6
	4.724	4.921	1.496	9.094	0.551	2.755	14.76	2.185	11.023	0.511	0.629	1.921	1.913
50 2"	140.0	150.0	50.0	231.0	14.0	70.0	385.0	64.5	280.0	13.0	16.0	61.2	60.5
	5.511	5.905	1.968	9.094	0.551	2.755	15.15	2.539	11.023	0.511	0.629	2.409	2.381