

**ISO 5211 direct-mount
2000 WOG 3-pc full
port threaded ball valve**

**TF-3T-D,
SF-3T-D**

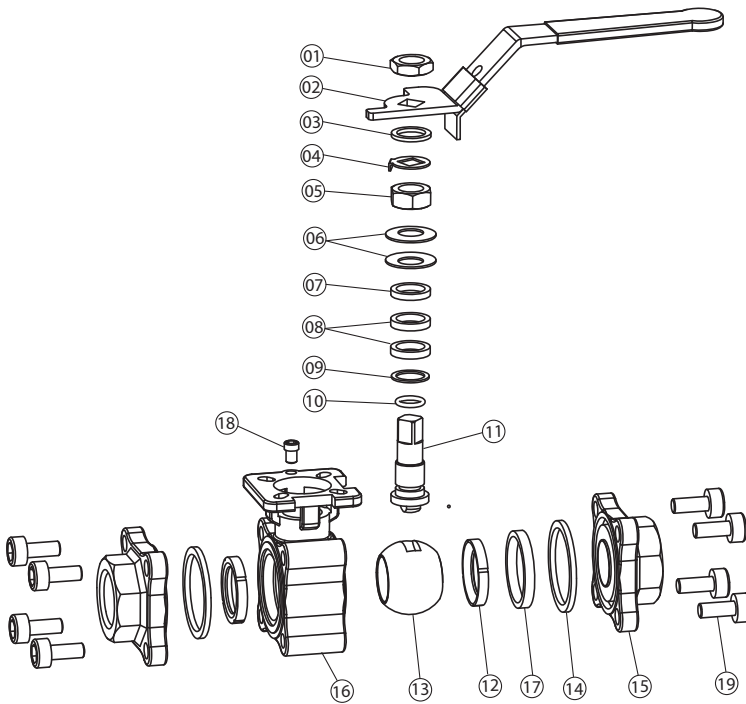


Specification

- ✦ **Size range:** 1/4"~2"
- ✦ **Rating:** 2000 psi WOG
- ✦ **Construction:** Three-piece bolted body, with floating ball design
- ✦ **Flow bore:** Full port
- ✦ **End connection:** NPT, SW and BW

Product features

- ✦ NPT, socket welded and butt welded connections available
- ✦ Blowout-proof stem
- ✦ ISO 5211 direct mounting pad for actuation
- ✦ Adjustable packing gland
- ✦ Locking lever handle
- ✦ Body material options: WCB (TF-3T-D) and CF8M (SF-3T-D)

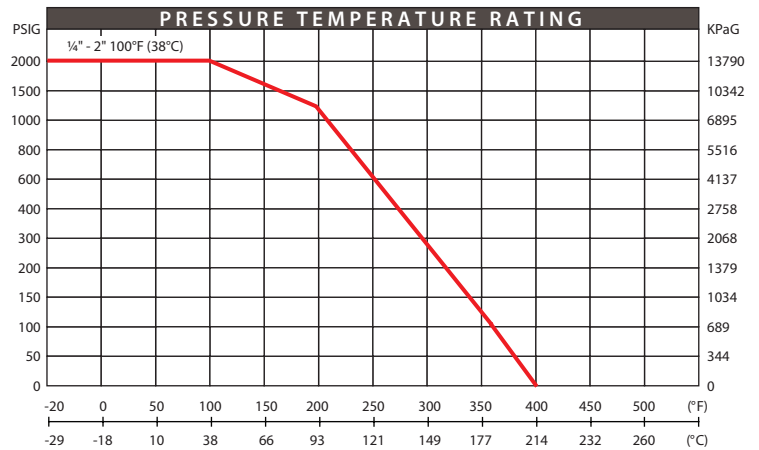
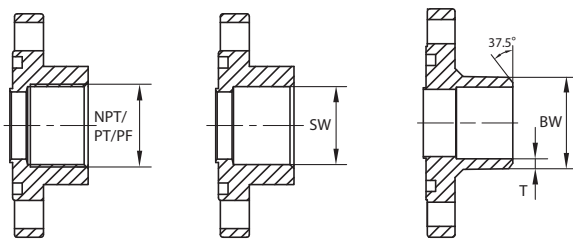
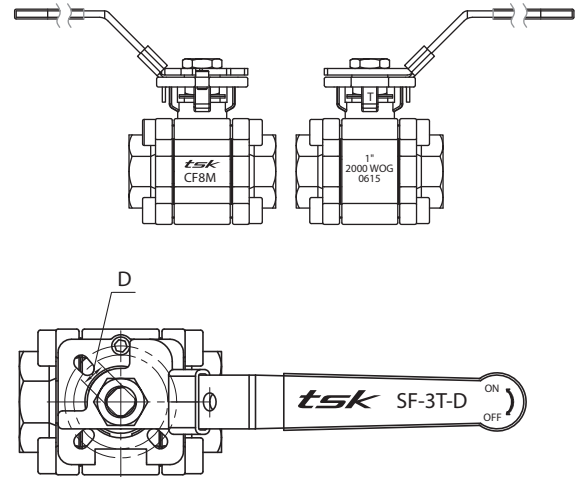
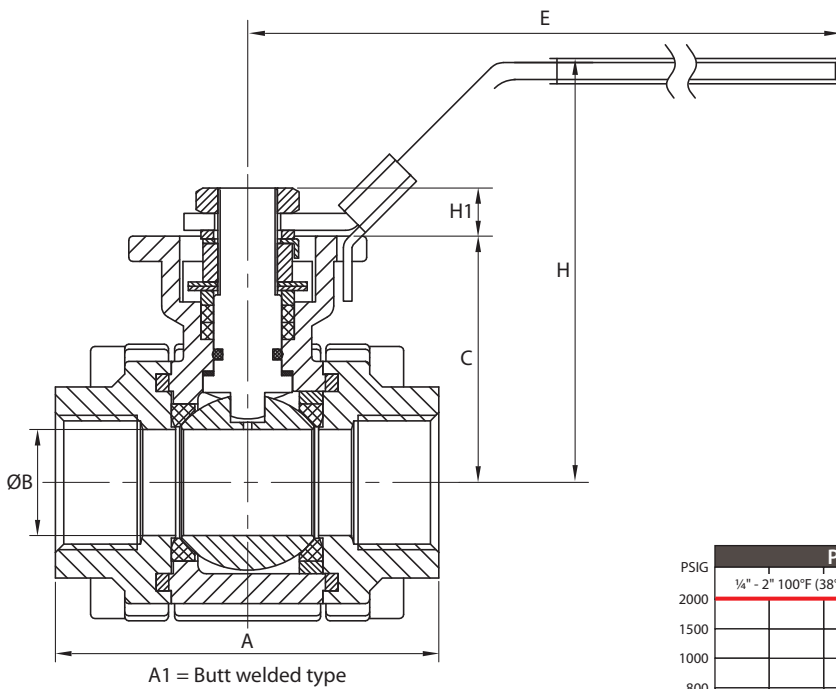


Material list

No.	Part name	Material	Qty
1	Handle nut	Stainless steel 304 / A276	1
2	Handle	Stainless steel 304 / A276	1
3	Stem washer	Stainless steel 304 / A276	1
4	Lock washer	Stainless steel 304 / A276	1
5	Gland nut	Carbon steel A108 Stainless steel 304 / A276	1
6	Belleville washer	Stainless steel 301	2
7	Gland	Stainless steel 304 / A276	1
8	Packing	PTFE	2
9	Stem O-ring	NBR	1
10	Thrust washer	RPTFE 15% GFT	1
11	Stem	Stainless steel 304 / A276 Stainless steel 316 / A276	1
12	Seat	RPTFE 15% GFT	2
13	Ball	Stainless steel A351 Gr. CF8M	1
14	Body seal	PTFE	2
15	Cap	A216 Gr. WCB Stainless steel A351 Gr. CF8M	2
16	Body	A216 Gr. WCB Stainless steel A351 Gr. CF8M	1
17	Body gland	Stainless steel 304 / A276 Stainless steel 316 / A276	1
18	Stopper pin	Stainless steel 304 / A276	1
19	Body bolt	Stainless steel A193 Gr. B7 Stainless steel A193 Gr. B8	8

**ISO 5211 direct-mount
2000 WOG 3-pc full
port threaded ball valve**

**TF-3T-D,
SF-3T-D**



DIMENSIONS													
Size (mm/in)	A	A1	B	C	D	E	H	H1	SW	BW	T	ISO 5211	
8	¼"	65.0	70.0	11.0	37.5	9.0	140.0	70.0	8.0	14.2	14.2	3.0	F04
		2.559	2.755	0.433	1.476	0.354	5.511	2.755	0.314	0.559	0.559	0.118	
10	⅜"	65.0	70.0	11.0	37.5	9.0	140.0	70.0	8.0	17.3	17.6	3.0	F04
		2.559	2.755	0.433	1.476	0.354	5.511	2.755	0.314	0.681	0.692	0.118	
15	½"	75.0	75.0	15.0	37.5	9.0	140.0	70.0	8.0	21.8	21.7	3.0	F04
		2.952	2.952	0.590	1.476	0.354	5.511	2.755	0.314	0.858	0.854	0.118	
20	¾"	80.0	90.0	20.5	50.0	11.0	180.0	90.0	11.0	27.2	27.2	3.15	F04 / F05
		3.149	3.543	0.807	1.968	0.433	7.086	3.543	0.433	1.070	1.070	0.124	
25	1"	90.0	100.0	25.0	58.0	11.0	180.0	100.0	11.0	33.9	34.0	3.65	F04 / F05
		3.543	3.937	0.984	2.283	0.433	7.086	3.937	0.433	1.334	1.338	0.144	
32	1¼"	110.0	110.0	31.5	71.0	14.0	215.0	112.0	16.0	42.7	42.7	3.80	F07
		4.330	4.330	1.240	2.795	0.551	8.464	4.409	0.629	1.681	1.681	0.149	
40	1½"	120.0	125.0	38.0	76.0	14.0	215.0	115.0	16.0	48.8	48.6	3.82	F07
		4.724	4.921	1.496	2.992	0.551	8.464	4.527	0.629	1.921	1.913	0.150	
50	2"	140.0	150.0	50.0	92.0	14.0	215.0	133.0	16.0	61.2	60.5	3.95	F07
		5.511	5.905	1.968	3.622	0.551	8.464	5.236	0.629	2.409	2.381	0.156	