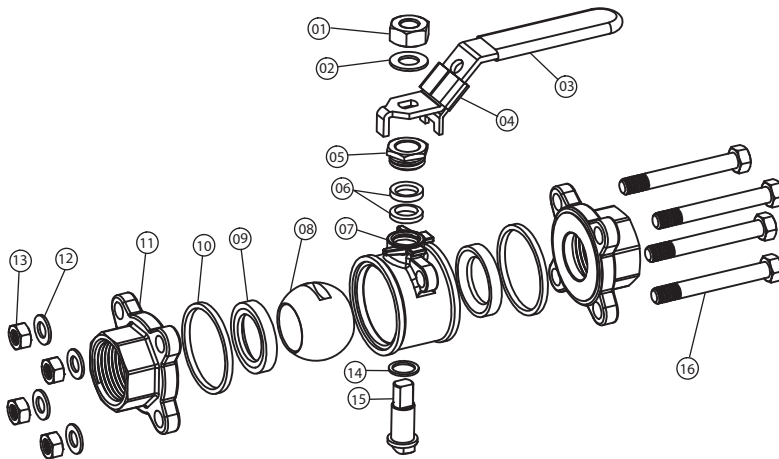


1000 WOG 3-pc full port threaded ball valve

TF-3ET, SF-3ET



Specification

- ✦ Size range: 1/4"~3"
- ✦ Rating: 1000 psi WOG
- ✦ Construction: Three-piece body, with floating ball design
- ✦ Flow bore: Full port
- ✦ End connection: NPT, SW and BW

Product features

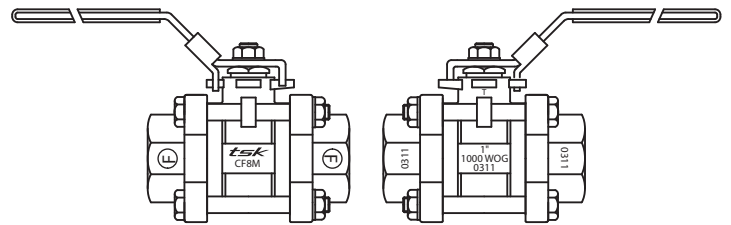
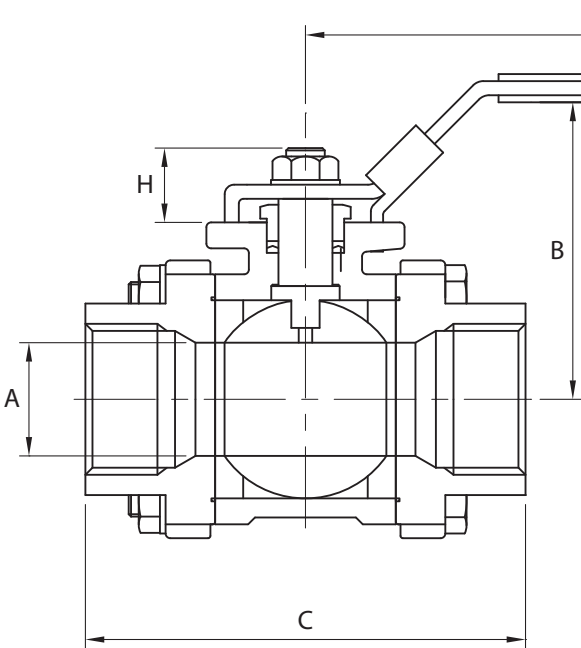
- ✦ NPT connection according to ANSI B1.20.1
- ✦ Blowout-proof stem
- ✦ Adjustable packing gland
- ✦ Locking lever handle
- ✦ Body material options: WCB, CF3M and CF8M

Material list

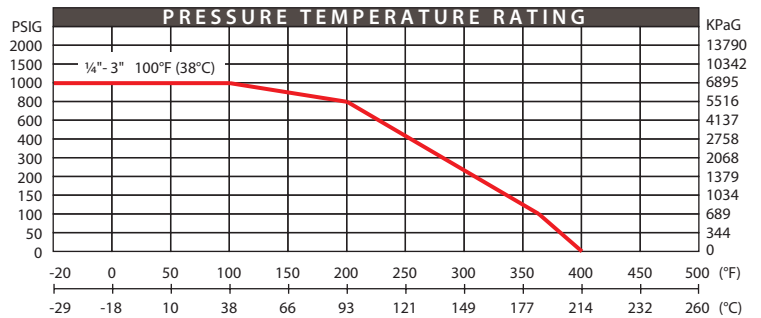
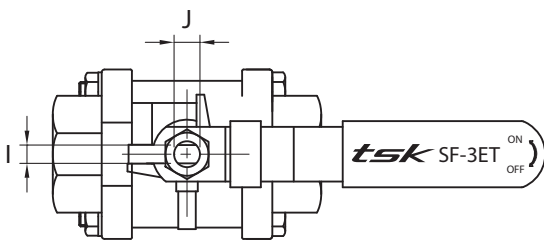
No.	Part name	Material			Qty
1	Handle nut	Stainless steel 304 / A276			1
2	Stem washer	Stainless steel 304 / A276			1
3	Handle grip	Vinyl			1
4	Handle	Stainless steel 304 / A276			1
5	Gland nut	Carbon steel A108	Stainless steel 316 / A276		1
6	Packing	PTFE			1
7	Body	A216 Gr. WCB	SS A351 Gr. CF3M	SS A351 Gr. CF8M	1
8	Ball	Stainless steel A351 Gr. CF8	Stainless steel A351 Gr. CF8M		1
9	Seat	Reinforced Teflon 15% GFT			2
10	Gasket	PTFE			2
11	Cap	A216 Gr. WCB	SS A351 Gr. CF3M	SS A351 Gr. CF8M	2
12	Bolt washer	Stainless steel 304 / A276			4
13	Hex nut	A194 Gr. 2H	A194 Gr. 8		4
14	Thrust washer	Reinforced Teflon 15% GFT			1
15	Stem	Stainless steel 304 / A276	Stainless steel 316 / A276		1
16	Bolt	A193 Gr. B7	A193 Gr. B8		4

1000 WOG 3-pc full port threaded ball valve

TF-3ET, SF-3ET



Sizes 1/4" to 3"



DIMENSIONS										
Size	8	10	15	20	25	32	40	50	65	80
mm/in	3/4	1	1 1/2	2	2 1/2	3 1/2	4 1/2	5 1/2	6 1/2	8
A	9.5	9.5	15.0	20.0	25.0	32.0	38.0	50.5	65.0	78.0
mm/in	0.374	0.374	0.591	0.787	0.984	1.260	1.496	1.988	2.559	3.071
B	54.0	54.0	54.6	64.8	67.8	79.4	84.4	100.7	135.0	145.5
mm/in	2.126	2.126	2.150	2.551	2.669	3.126	3.323	3.965	5.315	5.728
C	57.0	57.0	66.5	72.5	86.5	101.5	116.5	132.5	167.0	187.0
mm/in	2.244	2.244	2.618	2.854	3.406	3.996	4.587	5.217	6.575	7.362
D	120.0	120.0	120.0	139.0	139.0	193.0	193.0	193.0	244.0	244.0
mm/in	4.724	4.724	4.724	5.472	5.472	7.598	7.598	7.598	9.606	9.606
H	11.5	12.5	14.5	18.0	18.0	23.5	22.5	25.0	32.0	31.0
mm/in	0.453	0.492	0.571	0.709	0.709	0.925	0.886	0.984	1.280	1.220
I	5.5	5.5	5.5	6.5	6.5	8.0	8.0	10.0	12.0	12.0
mm/in	0.217	0.217	0.217	0.256	0.256	0.315	0.315	0.394	0.472	0.472
J	8.0	8.0	8.0	8.0	8.0	10.0	10.0	12.0	18.0	18.0
mm/in	0.315	0.315	0.315	0.315	0.315	0.394	0.394	0.472	0.709	0.709
Cv	10.0	10.0	26.0	50.0	68.0	120.0	170.0	360.0	510.0	900.0